

# Technical data sheet

## Product features



### Gas fryer 17l on cabinet

<b>Model</b>	<b>SAP Code</b>	00009077
--------------	-----------------	----------



- Basin volume [l]: 17
- Drain type: Trough the cabinet
- Maximum device temperature [°C]: 190
- Minimum device temperature [°C]: 50
- Material: AISI 304 top plate and cladding
- Heating location: Inside the tank
- Ignition: Piezo
- Number of baskets: 1
- Basket size [mm]: 280 x 300 x 120

<b>SAP Code</b>	00009077	<b>Type of gas</b>	Natural gas, propane butane
<b>Net Width [mm]</b>	400	<b>Basin volume [l]</b>	17
<b>Net Depth [mm]</b>	730	<b>Number of basins</b>	1
<b>Net Height [mm]</b>	900	<b>Number of baskets</b>	1
<b>Net Weight [kg]</b>	44.00	<b>Basket size [mm]</b>	280 x 300 x 120
<b>Power gas [kW]</b>	14.000	<b>Ratio power/volume [kW/l]</b>	0.80

# Technical data sheet

Technical drawing

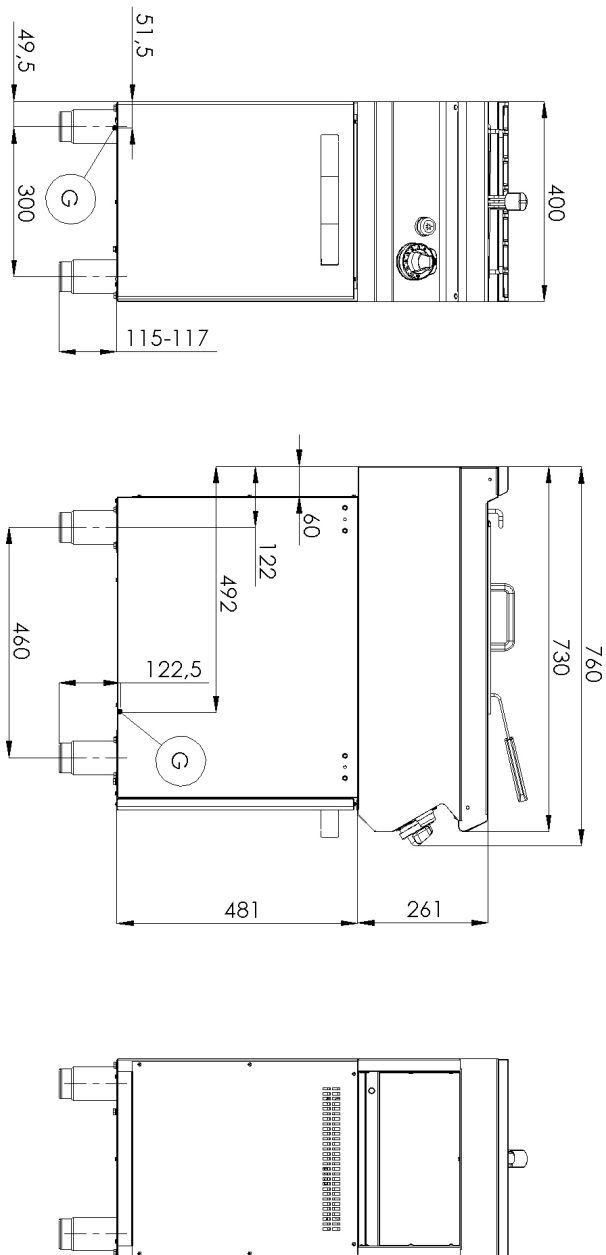


Gas fryer 17l on cabinet

Model

SAP Code

00009077



# Technical data sheet

Technical parameters



## Gas fryer 17l on cabinet

**Model**

**SAP Code**

00009077

**1. SAP Code:**

00009077

**2. Net Width [mm]:**

400

**3. Net Depth [mm]:**

730

**4. Net Height [mm]:**

900

**5. Net Weight [kg]:**

44.00

**6. Gross Width [mm]:**

440

**7. Gross depth [mm]:**

800

**8. Gross Height [mm]:**

1080

**9. Gross Weight [kg]:**

52.00

**10. Device type:**

Gas unit

**11. Construction type of device:**

With substructure

**12. Power gas [kW]:**

14.000

**13. Ignition:**

Piezo

**14. Type of gas:**

Natural gas, propane butane

**15. Protection of controls:**

IPX4

**16. Exterior color of the device:**

Stainless steel

**17. Material:**

AISI 304 top plate and cladding

**18. Worktop type:**

Molded - comfortable cleaning maintenance

**19. Worktop material:**

AISI 304

**20. Worktop Thickness [mm]:**

1.50

**21. Device heating type:**

Direct

**22. Standard equipment for device:**

lid and basket

**23. Basin volume [l]:**

17

**24. Basin dimensions [mm x mm x mm]:**

306 x 340 x 300

**25. Maximum device temperature [°C]:**

190

**26. Minimum device temperature [°C]:**

50

**27. Service accessibility:**

Trough the frontal panel

**28. Safety thermocouple:**

Yes

# Technical data sheet

Technical parameters



## Gas fryer 17l on cabinet

**Model**

**SAP Code**

00009077

**29. Heating element material:**

Stainless steel

**34. Ratio power/volume [kW/l]:**

0.80

**30. Number of baskets:**

1

**35. Drain type:**

Trough the cabinet

**31. Number of basins:**

1

**36. Heating location:**

Inside the tank

**32. Basket size [mm]:**

280 x 300 x 120

**37. Connection to a ball valve:**

1/2

**33. Basin material:**

AISI 304 - High quality stainless steel